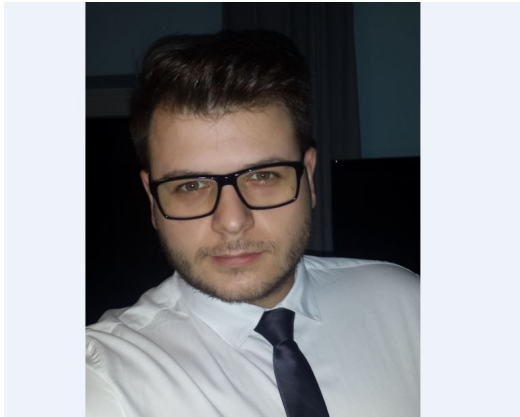


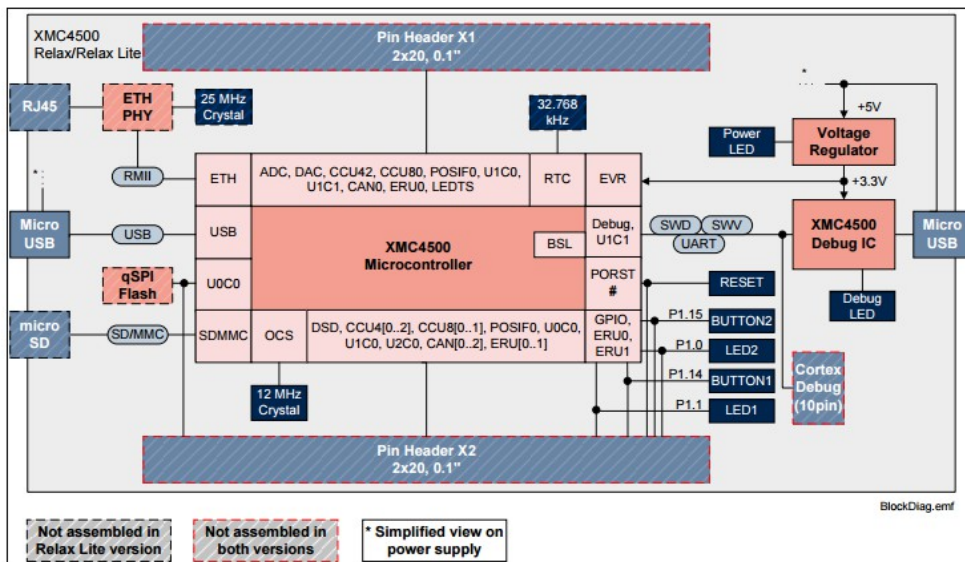
. Project title: Automated emergency air vent and windows operating device
 (documentation - in progress)

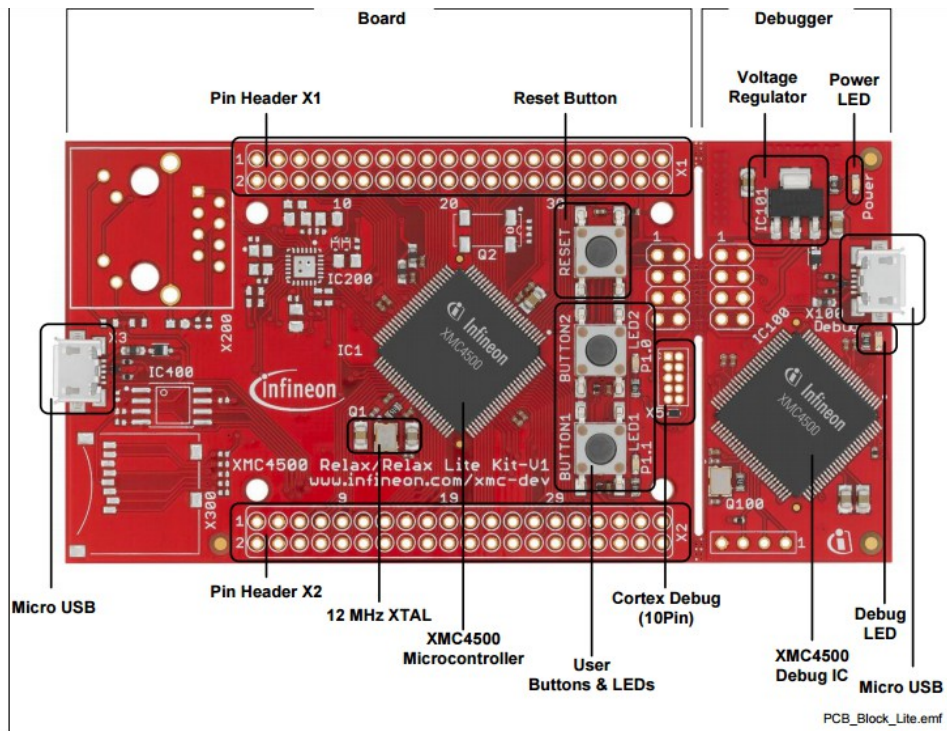


Apetrei Andrei - Constantin
 andrei.constantin.apetrei@gmail.com

2. Abstract

The XMC4500 Relax Kit-V1 and the XMC4500 Relax Lite Kit-V1 are designed to evaluate the capabilities of the XMC4500 Microcontroller and the powerful, free of charge tool chain DAVE™. The XMC4500 Relax Kit extends the feature set with an Ethernet-enabled communication option, e.g. to run an embedded web server. You can store your own HTML web pages on a microSD Card or control the XMC4500 via the web browser on your PC. The XMC4500 Relax Lite Kit-V1 does not support the web server application, because the components for the Ethernet are not assembled. Both boards are marked with “XMC4500 Relax/Relax Lite Kit-V1”.





Infineon Relax Lite Kit is a 10 Euros development kit based on Infineon XMC4500 Cortex M4 MCU with 160 KB SRAM and 1 MB flash, and featuring 2 USB OTG ports for debugging and powering up the board, 3 buttons (including reset), 2 LEDs, and 2 headers (through holes) giving access to the signals from the MCU such SPI, I2C, I2S, UART, CAN, ADC, DAC and PMW.

3. Introduction, project aims and objectives

- in case of overheating, smoke detections -> vent the room and prevent explosions in the case of firefighters interventions

4. System overview

5. Schematics and components

- xmc4500 relax lite kit
- bluetooth module
- android/iOS device to simulate alarm transmitting message
- DC motor and motor driver

6. Software

- Dave 4

7. Project results & applications

- industrial applications (industrial halls, warehouses)

8. Reference

